

2018 IHF Women's Junior (U20) World Championship

Debrecen, Hungary

01 – 14 July 2018



IHF INFO





Table of contents

Welcome	3
Basic Principles	5
Venues	7
IHF Nominees	11
Technical Section	15
Competition Section	24
Logistics and Organisational Matters	30
TV, Media and Advertising	33
Financial Section	35
Day-By-Day Schedule	39



2018 IHF Women's Junior (U20) World Championship
HUNGARY



Dear handball friends in Hungary and all over the world,

This year, all eyes of the handball world will be on Hungary in July 2018, when the world's best women's junior teams will meet in city of Debrecen to compete at the 21st IHF Women's Junior (U20) World Championship for the title of world champions.

Handball-loving Hungary will be in the spotlight of the handball world once again – overall six IHF World Championships, including both indoor and beach handball, were hosted by Hungary so far and I am convinced that the organisers will give it their all to present our beautiful sport in the best possible way and to show what they are capable of – on and off the court.

Thrilling matches are guaranteed, as the world of handball has been growing closer together over the past few years and when 24 teams will fight and try to dethrone defending champions Denmark. The athletes of 24 teams from Africa, the Americas, Asia and Europe are eagerly waiting for the championship to begin, ready to show the fans in the arenas and at home the best our wonderful sport has to offer.

It will be interesting to see how the teams have developed since the last IHF Women's Youth (U18) World Championship in Russia two years ago and which players are on the rise and might even become the stars of tomorrow.

We look forward to an exciting competition and outstanding performances from our players as well as our referees, who should be a role model for the generation to come.

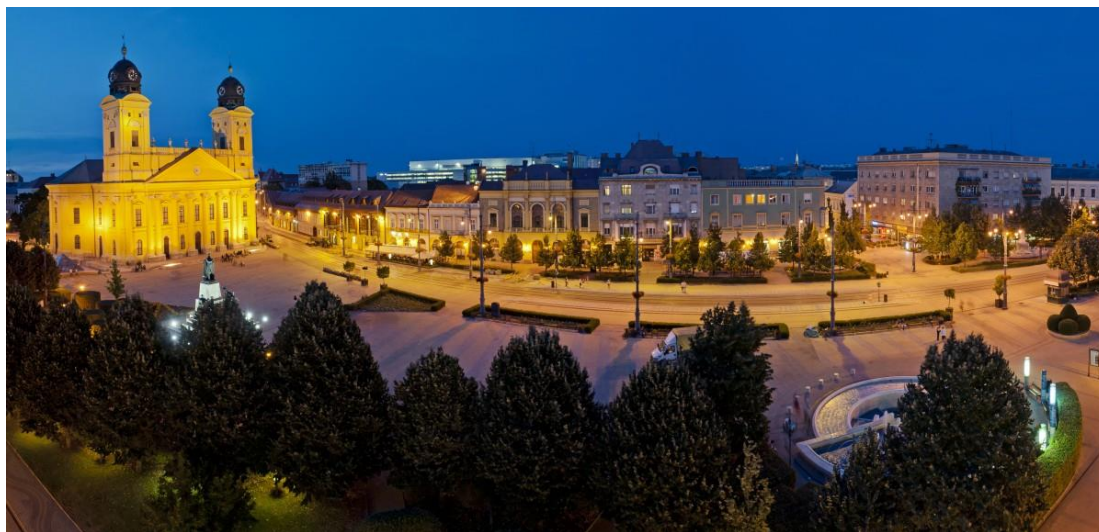
I wish everyone a good time ahead and I look forward to an exciting competition in the spirit of fair play.

May the best team win!

A handwritten signature in black ink, likely belonging to Dr. Hassan Moustafa.

Dr Hassan Moustafa
IHF President

Debrecen



Debrecen is the centre of the Northern Great Plain Region. The face of the city is going through changes nowadays, too: the reconstructed main square became a real community area with its nice fountains, temptingly friendly terraces and exciting cultural events.

As several world championships have been organized in Debrecen since 2001, the city rightly won the title of Sport Capital in Hungary. The investments in sports facilities such as the athletic stadium, the ice hockey hall, the building of the new swimming pool and the new football stadium not only accelerate local sports life but also make Debrecen able to represent Hungary in the international scene.

An ideal place for family programmes is the Great Forest, where the indoor Mediterranean Water Resort, a 17-hectare Zoo and Theme Park and botanical garden await visitors. The Great Forest Park, with its fresh air, healing thermal water and the thrilling adventure water park all offer fantastic experiences. The events that are offered the whole year round, provide even more diverse leisure activities. Among the cultural and spiritual heritage of Debrecen are Déri Museum, the Calvinist Great Church, or the Calvinist College with its school and religious art museum and its library, which give great enjoyment to all visitors.

The cultural values of Debrecen augment year by year: Kölcsey Centre offers substantial and high quality programmes all the year. Next to the Centre, the most modern art gallery of Central Europe called Modern welcomes thousands of visitors a year with its large-scale exhibitions. The museums capture their attention with new, interactive exhibitions, and take them on exciting tours behind the scenes and to the world of mysterious stories. Special flavours and smells attract gastro-adventurers from ambient cafés, through street food and fine dining to the unique “ruin pubs”.

Debrecen aims to be a city where it is good to live, which is worth visiting and always able to show something new to the world. In addition to the historic monuments, the cultural events and the unique natural environment, by way of the continuous developments and new attractions, the city presents a new, so far unknown face to visitors each year.



BASIC PRINCIPLES



2018 IHF Women's Junior (U20) World Championship
HUNGARY



The 2018 Women's Junior (U20) World Championship is essentially an IHF event.

<p>Event Holder:</p> <p>International Handball Federation Peter Merian-Strasse 23 P.O. Box CH-4002 Basel Switzerland Phone: +41-61-228 90 40 Fax: +41-61-228 90 55 E-mail: ihf.office@ihf.info Website: www.ihf.info</p>	<p>Organiser:</p> <p>Hungarian Handball Federation Módusz Irodahaz, Könyves Kalman Krt. 76, HU-1087 BUDAPEST Hungary Phone: +36-1-435 42 00 WCh contact e-mail: harsfalvi.zsofia@keziszovetseg.hu Federation e-mail: mksz@keziszovetseg.hu Website: www.keziszovetseg.hu</p>
--	---

The IHF Congress awarded the 2018 Women's Junior (U20) World Championship to the Handball Federation of Hungary.

24 national teams have qualified for the 2018 World Championship. They are entitled to take part provided they have fulfilled their obligations towards the IHF.

Competition venue and date

The organiser, in agreement with the IHF, fixed the dates for the 2018 Women's Junior (U20) World Championship for the period from:

01 – 14 July 2018

The competition will be played in the **city of Debrecen, Hungary.**

Arrival airports: Debrecen International Airport
Liszt Ferenc International Airport, Budapest

Participating teams

GROUP A	GROUP B	GROUP C	GROUP D
HUN	RUS	DEN	FRA
NOR	KOR	NED	GER
MNE	SLO	ROU	ESP
BRA	CHN	ANG	CRO
POR	CHI	JPN	EGY
CIV	ISL	PAR	SWE



VENUES

SPORTS HALLS

Fönix Sports hall, Debrecen

Capacity: 6,500
Address: Kassai út 28
4028 Debrecen
<http://www.fonixcsarnok.hu>



Hódos Imre Sports hall, Debrecen

Capacity: 1,300
Address: Kassai út 32-34
4032 Debrecen
www.hodoscsarnok.hu



TEAM HOTELS

Campus Hotel

Address: Kassai út 26
4028 Debrecen

Phone: +36 (52) 529-100

Website: <http://www.campushotel.hu/index.php?nyelv=en>

Email: campus.hotel@collegehostels.hu

Teams: Groups C and D
ANG, DEN, JPN, NED, PAR, ROU
CRO, EGY, ESP, FRA, GER, SWE



Lycium Hotel

Address: Hunyadi u. 1-3
4026 Debrecen

Phone: + 36 (52) 506 600

Website: www.lycium.hu

Email: hotel@hotellycium.hu

Teams: Group B
CHI, CHN, ISL, KOR, SLO, RUS



Centrum Hotel

Address: Kalvin Ter 4
4025 Debrecen

Phone: +36 (52) 418522

Website: www.centrumhotel.hu

Email: info@centrumhotel.hu

Teams: CIV, MNE, NOR



Óbester Hotel

Address: Péterfia u. 49
4026 Debrecen

Phone: +36 20/449-4949

Website: www.hotelobester.hu

Email: obesterhotel@gmail.com

Teams: BRA, POR



Divinus Hotel

Address: Nagyerdei krt. 1
4032 Debrecen

Phone: +36 (52) 510 900

Website: www.hoteldivinus.hu

Email: info@hoteldivinus.hu

Teams: HUN



IHF HOTEL

Aquaticum Debrecen Hotel

Address: Nagyerdei park 1
H-4032 Debrecen

Phone: +36 52 514 111

Website: www.aquaticum.hu

Email: hotel@aquaticum.hu





IHF NOMINEES



2018 IHF Women's Junior (U20) World Championship
HUNGARY



President

MOUSTAFA Dr Hassan

Representatives

RAPP Anna SWE TABORSKY Frantisek CZE

Officials / Competition Management

BERTELSEN Per DEN GALLEGO Ramón ESP
SPÄTE Dietrich GER

Event Delegates

GORALCZYK Marek POL PETRONIJEVIC Milan SRB

Technical Delegates

ASHOUR	Saleh	UAE	FRESER	Anja	SLO
GARCIA	Francois	FRA	GOULAO	Antonio	POR
JENSEN	Bjarne Munk	DEN	KARBAS CHI	Mohsen	IRI
MEDVED	Tatjana	SRB	MITRUNEN	Päivi	FIN
POPADIC	Jovan	SRB	RÄTZ	Felix	SUI
REISINGER	Gerhard	AUT	SEDREZ	Salvio	BRA
SOÓS	Balázs	HUN	STASOVA	Janka	SVK
VOJIC	Arijana	BIH			

Chairman of the Disciplinary Commission

RADOJICIC Zoran MNE

Doping Control Supervisor and Coordinator

AHMED Dr Hosny EGY

Experts for analysing

DUEÑAS Jorge ESP LANDURE Paul FRA

Referees

ALG	BELKHIRI/HAMIDI	BRA	ALVES ROCHA/MAGALHAES DA SILVA
BLR	KULIK/NABOKAU	BRN	ALMAWT/ALMARHOON
CHN	CHENG/ZHOU	EGY	EMAM/HEDAIA
ESP	ALVAREZ MATA/BUSTAMANTE LOPEZ	GER	MERZ/SCHILHA
IRQ	HUSSEIN/IMRAN	JPN	HONDA/TABUCHI
ROU	NASTASE/STANCU	RUS	KIYASHKO/KISELEV
SRB	ANTIC/JAKOVLJEVIC	TUN	ABID/CHAOUCH
TUR	ÜNLÜ/SIMSEK	URU	SOSA/LEMES

IHF Head Office

KHALIFA	Amal	EGY	STRUB	Patric	GER
SCHNELLER	Kathrin	AUT	NIEDERHAUSER	Reto	SUI

Media

MCSTEEN	Andrew	GBR
GAHAN	Courtney	AUS
KOVACS	Aniko	HUN
MOHSEN ELSHAL	Mahmoud	EGY
SHAWKY ALAKRAA	Mohamed	EGY
MENICHELLI	Santiago	ARG

Scouting

DEREK	Tomislav	CRO
VOJNOVIC	Drago	CRO
PEJCIC	Luka	CRO

Referee Fitness Coordinators

ARIÑO	Daniel	ESP
CEDRÚN	Sergí	ESP



2018 IHF Women's Junior (U20) World Championship
HUNGARY



Time table prior to WCh start

TIME	ACTIVITY	PLACE
29 June 2018		
15:00	Meeting CM / Event Delegates / Office	<i>Venus room</i>
16:00	Meeting CM / EDs / Office / OC	<i>Venus room</i>
17:30	Event Delegates / OC – Inspection Halls	<i>Venus room</i>
17:30	Meeting Competition Management	<i>Venus room</i>
20:30	Dinner	
30 June 2018		
08:30	General Welcome	<i>Saturnus room</i>
09:00-11:00	Referee Meeting	<i>Saturnus room</i>
11:00-12:45	Functional strength training	Sports Hall
09:00-12:30	Delegates Course	<i>Mars room</i>
13:00	Lunch	
13:45	Event Delegates / OC – Inspection Halls	
13:45-15:30	Referee Meeting <i>Attacker Fouls</i>	<i>Saturnus room</i>
13:45-15:30	Delegates Course	<i>Mars room</i>
15:30-16:00	Coffee break (all)	
16:00-17:00	Referees: <i>Nutrition workshop</i>	<i>Saturnus room</i>
17:00-18:45	Referee meeting: <i>New Rules and Guidelines</i>	<i>Saturnus room</i>
16:00-18:45	Delegates Course	<i>Mars room</i>
19:00	Dinner	
20:00	Referees Rule and Video Test	<i>Saturnus room</i>
20:00	Delegates Rules Test	<i>Mars room</i>
01 July 2018		
07:30	Departure shuttle-run test and training with fitness coaches	Sports Hall
08:00-12:00	Delegates Course	<i>Mars room</i>
08:00-10:00	Final inspection – Event Delegates / OC	
11:00-12:00	Referee Meeting: <i>PRC Clarifications</i>	<i>Saturnus room</i>
10:00	Technical Meeting with BRA and HUN	<i>Venus room</i>
12:00	Lunch	
12:45-14:00	Referee Meeting: <i>Healthy Nutrition</i>	<i>Saturnus room</i>
14:00-16:15	Referee Meeting: <i>Videos of the Referees</i>	<i>Saturnus room</i>
12:45-16:00	Delegates Course	<i>Mars room</i>
16:30/16:45	Departure Opening Ceremony	
19:30-21:00	Dinner	IHF Hotel
21:00	Technical Meeting with all teams	<i>Jupiter room</i>



IHF Bodies

Competition Management

Per Bertelsen (DEN), Chairman

Dietrich Späte (GER), Member

Ramón Gallego (ESP), Member

Disciplinary Commission

Zoran Radojicic (MNE), Chairman

Salvio Sedrez (BRA), Member

Bjarne Munk Jensen (DEN), Member

Jury

Frantisek Taborsky (CZE), Chairman*

**The Jury shall consist of the highest serving IHF representative present at the event and two officials or technical delegates appointed by him. None of the Jury members may be associated with the Disciplinary Commission or any interested party.*



TECHNICAL SECTION



Participating teams

Organiser:	one (1) HUN
Performance places:	eight (8) FRA, DEN, GER, NED, NOR, KOR, MNE, ROU
Compulsory places allocated to the continents of	
Africa:	three (3) ANG, EGY, CIV
Asia:	three (3) CHN, JPN, ISL*
Europe:	three (3) SLO, CRO, POR
Pan-America:	three (3) BRA, CHI, PAR
Oceania:	one (1) SWE, substitute nation from Europe
Reigning Women's Youth (U18) World Champion:	one (1) RUS (Europe)
Continent of reigning WJ (U20) World Champion:	one (1) ESP (Europe)

**In accordance with 2.3.5. of the IHF Regulations for Competitions for Junior World Championships, at least eight (8) teams must take part in the qualification in the continent in order to receive the three compulsory places. As only seven (7) teams took part at the Asian Qualification Event, the number of compulsory places has been reduced by one (1) and has been awarded, in accordance with the IHF Regulations, to the continent of the reigning Women's Junior (U20) World Champion (Europe).*

Player eligibility

The minimum age to participate at the Women's Junior (U20) World Championship is 16 years, the maximum age is 20 years; meaning a player eligible to participate has to turn 16 years on the day of her first match at the latest and must not exceed the age of 20 years in the year of the World Championship.

All players are subject to the Eligibility Code for handball players. For proof of citizenship, players must show a passport, which will be checked by the Commission of Organising and Competition (COC) before the start of the World Championship.

Non-appearance

Non-appearance is subject to Article 17 of the IHF Regulations concerning Penalties and Fines.

Team registration

Players and the remainder as officials (stating their function) shall be registered with the Head Office in Basel as follows:

provisionally: one month (01 June 2018) before the World Championship at the latest (28 players at most) to the IHF Head Office by use of the relevant IHF form.

definitively: one hour before the Technical Meeting to the responsible IHF representative (16 players taken from the provisional list). Registration must be executed on the relevant IHF form.



2018 IHF Women's Junior (U20) World Championship
HUNGARY



Registration on the IHF form for that very purpose must contain the following information in English:

The registration, on the relevant IHF form, must include:

a) Officials

Officials (who should not be changed during the entire competition)* with the following details: surname, first name, date of birth, nationality, gender, function within the delegation and indication of the officials (by use of letters A, B, C, D, E); the following functions must be used: head coach, assistant coach, physiotherapist, doctor, team official

**In exceptional cases the IHF Competition Management may allow the replacement of up to two officials during competition on request of the NF concerned (e.g. in case of serious health issues).*

b) Players

Players with the following details: players' number, surname, first name, club, date of birth, height, weight, throwing hand, main position, number of international games, number of goals scored in international matches

c) Players' clothing

Colour of first and second set of clothing, separately for shirts and shorts; goalkeepers' first, second, and third set of clothing.

In case of submitting incorrect or incomplete forms fines may be imposed.

Players who have not officially been registered by the date stipulated shall not be allowed to play in the competition. Please be notified that it is not allowed to take the role as both a player and official simultaneously.

Provisional registration

Even if a team registers less than 28 players, the provisional list is final and cannot be changed once the deadline has expired.

Player replacement

Each team may replace a maximum of three players (against three players indicated in the provisional list) during the entire tournament (e.g. each team may put in three new players or may put in a player who has already been replaced once), i.e. the 'list of 16' may be changed three times at most. Players may be replaced against players indicated in the provisional delegation list ('list of 28') only.

In case a suspended player is replaced by another player, the new player is only eligible to play after the suspension has lapsed.

If a team has registered less than 16 players, it may register one additional player during the World Championship.

Procedure for late registration or substitution of one or several players

New players must be orally registered with the Competition Management or the respective IHF delegate in the respective venue no later than 9 am on the respective match day (or on the day prior, if the match at 10:00am is concerned). A written registration and a proof of citizenship (passport, etc.) shall follow one hour before the match at the latest. The official IHF form must be used.



Players' clothing

The IHF Equipment Regulations and the IHF Rules of the Game provide general guidelines in view of players' clothing at the 2018 Women's Junior (U20) World Championship. Further information on Protective Equipment and Accessories is provided attached to the IHF INFO brochure.

Players' uniforms

All the court players on a handball team must wear identical uniforms*. The combination of colours and design of one team must clearly distinguish from the colours and design of the opposing team.

**players' uniforms include shirt, short or goalkeeper pants, socks*

The correct usage of cycling/compression pants or long-sleeves is described in the attached documents (Regulations on Protective Equipment and Accessories).

Players must wear sports shoes.

It is not permitted to wear objects that could be dangerous to the players. This includes, for instance, head protection, face masks, bracelets, watches, rings, visible piercings, necklaces or chains, earrings, glasses without restraining bands or with solid frames, or any other objects which could be dangerous (see IHF Rules of the Game).

Flat rings, small earrings and visible piercings may be allowed, as long as they are taped over in such a way that they are no longer deemed dangerous to other players. Headbands are allowed, as long as they are made of soft, elastic material. Special attention is drawn to the usage of hair pins, which are only allowed if made of soft material. Metal and/or plastic hairpins must be removed or fully covered with tape.

Players who do not meet the aforementioned rule will not be allowed to take part until they have corrected the problem.

Colours

Each team must possess two (2) differently coloured sets of players' uniform, including at least:

- a) one (1) set of light-coloured shirts and one set of light-coloured shorts
- b) one (1) set of dark-coloured shirts and one set of dark-coloured shorts
- c) three (3) differently coloured shirts for the goalkeeper.

One colour should very clearly cover the major part of the shirt.

All players of a team used on the goalkeeper position must wear the same colour that distinguishes them from the court players of both teams and the goalkeeper(s) of the opposing team.

All goalkeepers of one team must wear the same shirt colour. The colour of the players' numbers shall differ from the main colour. In each match one team shall wear light-coloured shirts and the other team dark-coloured shirts.

The uniform sets (named 1st and 2nd in order of preference) of the teams shall appear on the team list.

At the initial Technical Meeting of the IHF competition, each delegation is obliged to show the two differently coloured sets of uniforms (court players and three as regards the goalkeeper).

The colours will be pre-defined by the Competition Management and confirmed at the initial Technical Meeting. The decision of colours in each match will be taken with participation of the team representatives and the IHF Technical Delegates. In case of disagreement regarding the colours the team named first has the right to choose the colour.

After completion of the preliminary round a second Technical Meeting might be held in which the colours for the eighth-finals and the placement round shall be decided. If no Technical Meeting is held, the colours for all remaining matches will be fixed by the Competition Management.

Players' numbers

Players must wear clearly legible numbers, the figures being placed at least 20cm high on the back and at least 10cm high on their chest. The numbers shall be in a different colour from the main colour. Numbers between 1 and 99 shall be used.

During the entire IHF competition, each player must wear the same number, regardless of his position (goalkeeper or court player).



Players' names

The player's surname or popular name, that is identical to that indicated in the team list, must be displayed, in clearly legible 7cm high (minimum) capital letters, above the player's number on the back of the shirt. The names must be written in Roman letters. The teams are responsible for the application of the names.



Approval procedure

The players' uniforms shall be presented to the IHF in good time for examination. The teams participating in the 2018 Women's Junior (U20) World Championship must forward a sample or coloured photos of the uniforms they want to use in the competition to the IHF Head Office for approval. The nations are obliged to bring with them only such approved uniforms for the tournament concerned.

The teams are obliged to wear the uniforms approved for the match in question. Before the start of the match the IHF Official shall make sure that the teams on the court wear the uniforms approved for the match in question.

Change of players' uniform

If the IHF official considers that the two teams' uniforms might cause confusion, the team named second in the match schedule must change its uniform in order that there is good contrast. Uniform might also prove unsuitable for TV broadcast. Therefore both teams have to bring two sets to each match.

In all other cases the Competition Management or the official on site shall decide on the change of players' uniform.

Players' clothing during official presentation

During the official presentation prior to the matches all players of one team shall wear consistent clothing (all players wearing tracksuits or all players dressed in players' clothing or a combined solution are possible).

Identification of federation (emblem, national flag or name of the country) displayed on the shirt

Federations shall display the federation's emblem or the national flag at chest level on the front of the shirt. Federations are entitled to place the name of the country (in Latin letters in national language or in English) on the back of the shirt below the player's number in the event that the federations are not using their right of placing advertising in this area.



Team officials' clothing

The team officials in the substitution area must be uniformly dressed in sportswear or civilian clothing. Colours which may cause confusion with the court players of the opposing team are not allowed (see Substitution Area Regulations 3).

Walk-in and presentation in numerical order

For the walk-in and the presentation before the start of the match, players are kindly requested to line up in numerical order with the team captain coming first after the country's flag and all other players then follow in ascending numerical order (1-99). Please note that this order needs to be maintained during player's presentation and during the national anthem.

Alternatively, teams may set up an individual order. Should this be the case, a corresponding list needs to be submitted at the Technical meeting, providing exact information in which order the players will line-up. The same order needs to be maintained throughout the tournament.

Competition Management

The Competition Management is responsible for the orderly management of the event, in close cooperation with the organiser. It gives advice and makes all the necessary decisions during the event, with the exception of disciplinary decisions. It is also responsible for the appointment of Officials, Technical Delegates and referees.

The Competition Management is composed as follows:

Per Bertelsen (DEN), Chairman
Ramón Gallego (ESP), Member
Dietrich Späte (GER), Member



The teams may contact the IHF hotel (details as below) to reach the Competition Management on site:

Aquaticum Debrecen Thermal Wellness Hotel

Address: Nagyerdei park 1, H-4032 Debrecen

Phone: +36 52 514 111

Website: www.aquaticum.hu

Email: hotel@aquaticum.hu

Rules of the Game / Competition-related regulations

Matches shall be played according to the current IHF Rules of the Game (released: 01 July 2016).

Technical Meeting

An initial Technical Meeting with the team officials of the participating delegations, the organiser and the IHF representatives shall be held on 01 July 2018 at 10:00 at the IHF Hotel (Aquaticum) for the teams of HUN and BRA, and on 01 July 2018 at 21:00 at the IHF Hotel for all teams of all groups. At this meeting, all necessary information will be provided and organisational, technical and financial issues will be settled.

Please note that, as common procedure at the last WChs, passport control starts prior to the Technical meeting according to the following schedule:

20:00 FRA, CRO, GER, EGY, ESP, SWE
20:15 DEN, ANG, NED, JPN, ROU, PAR
20:30 RUS, CHN, KOR, CHI, SLO, ISL
20:45 NOR, POR, MNE, CIV

The teams have to bring all **players' passports** and a sample of their **players' uniform sets** to the Technical Meeting. Moreover they are to submit the **definitive registration list** by use of the IHF form. May we point out once again that only players indicated in the provisional registration list submitted to the IHF may be included in the definitive registration list.

Technical Meeting Agenda

1. Welcome
2. Information provided by the organiser
3. Playing schedule / throw-off times
4. Warming-up / timing / procedure before and after the match
5. Media matters (mixed zone, press conference, etc.)
6. Training schedule
7. Appointment of delegates and referees
8. Doping controls
9. Miscellaneous
10. Confirmation of colours of players' uniforms
11. Checking the national anthems



Juridical bodies

According to the IHF Regulations, the Disciplinary Commission and Jury shall be responsible for settling disputes at international events (Olympic Games, World Championships and World Cups).

The Disciplinary Commission shall act as the first stage of appeal and handle protests filed at international events against rulings and actions both on and off the field (IHF Legal Provisions, Article 2, IHF Appeal Authorities, 2.1 Disciplinary Commission and Jury).

The Jury will handle cases of recourse against Disciplinary Commission rulings. They will have the final word as the second stage of appeal during international events.

Disciplinary Commission and Jury shall be guided by the following underlying principles when making judgement:

- a) Referee determinations on facts shall be final.
- b) Breach of the rules or unjustified action by referees, scorekeepers, timekeepers, technical delegates and officials can only give rise to a replay if the appeal authority judges the consequences to be decisive for the outcome of the game.

Protests

A protest may be made against decisions and occurrences at the 2018 Women's Junior (U20) World Championship during and outside the matches, up to one hour after completion of the match and against payment of CHF 500.–, to be made at the same time.

The Disciplinary Commission shall deal with the protest (see also Legal Provisions and the Regulations concerning Penalties and Fines). The reasoning for the protest must be stated in writing no later than two hours after the end of the match and submitted to the Disciplinary Commission in one of the three IHF languages.

The Disciplinary Commission shall decide on the protest no later than five hours after the end of the match, including possible disqualification of players or teams, and shall determine the extent of the fine or penalty.

Appeals

An appeal may be made against the decision of the Disciplinary Commission up to two hours after receipt of the decision, and with payment of CHF 1,500.– at the same time. The Jury shall deal with the appeal, and its decision shall be final. The Jury decision shall be made and announced within 4 hours (see also Legal Provisions and the Regulations concerning Penalties and Fines).



COMPETITION SECTION



2018 IHF Women's Junior (U20) World Championship HUNGARY



2018 Women's Junior (U20) World Championship HUNGARY



Match Schedule

Group A / Hall Fonix			
Teams:	HUN	BRA	
	NOR	POR	
	MNE	CIV	

Group B / Hall Fonix			
Teams:	RUS	CHN	
	KOR	CHI	
	SLO	ISL	

Group C / Hall Hodos			
Teams:	DEN	ANG	
	NED	JPN	
	ROU	PAR	

Group D / Hall Hodos			
Teams:	FRA	CRO	
	GER	EGY	
	ESP	SWE	

Day	Match no.	Time	Match
-----	-----------	------	-------

1-Jul	1	18:00	HUN-BRA
-------	---	-------	---------

2-Jul	2	12:00	NOR-CIV
	3	14:00	MNE-POR

Rest			
------	--	--	--

4-Jul	19	16:00	CIV-MNE
	20	18:00	POR-HUN
	21	20:00	BRA-NOR

5-Jul	25	16:00	HUN-CIV
	26	18:00	NOR-MNE
	27	20:00	BRA-POR

Rest			
------	--	--	--

7-Jul	43	13:30	MNE-HUN
	44	15:30	NOR-POR
	45	17:30	CIV-BRA

8-Jul	49	16:00	POR-CIV
	50	18:00	HUN-NOR
	51	20:00	MNE-BRA

Day	Match no.	Time	Match
-----	-----------	------	-------

2-Jul	4	16:00	RUS-CHN
	5	18:00	KOR-ISL
	6	20:00	SLO-CHI

3-Jul	13	16:00	CHN-KOR
	14	18:00	CHI-RUS
	15	20:00	ISL-SLO

Rest			
------	--	--	--

5-Jul	28	10:00	RUS-ISL
	29	12:00	KOR-SLO
	30	14:00	CHN-CHI

6-Jul	37	16:00	KOR-CHI
	38	18:00	SLO-RUS
	39	20:00	ISL-CHN

Rest			
------	--	--	--

8-Jul	52	10:00	CHI-ISL
	53	12:00	SLO-CHN
	54	14:00	RUS-KOR

Day	Match no.	Time	Match
-----	-----------	------	-------

2-Jul	7	10:00	DEN-ANG
	8	12:00	NED-PAR
	9	14:00	ROU-JPN

Rest			
------	--	--	--

4-Jul	22	16:00	PAR-ROU
	23	18:00	JPN-DEN
	24	20:00	ANG-NED

5-Jul	31	16:00	DEN-PAR
	32	18:00	NED-ROU
	33	20:00	ANG-JPN

Rest			
------	--	--	--

7-Jul	46	13:30	NED-JPN
	47	15:30	ROU-DEN
	48	17:30	PAR-ANG

8-Jul	55	16:00	JPN-PAR
	56	18:00	ROU-ANG
	57	20:00	DEN-NED

Day	Match no.	Time	Match
-----	-----------	------	-------

2-Jul	10	16:00	FRA-CRO
	11	18:00	GER-SWE
	12	20:00	ESP-EGY

3-Jul	16	16:00	CRO-GER
	17	18:00	EGY-FRA
	18	20:00	SWE-ESP

Rest			
------	--	--	--

5-Jul	34	10:00	FRA-SWE
	35	12:00	GER-ESP
	36	14:00	CRO-EGY

6-Jul	40	16:00	GER-EGY
	41	18:00	ESP-FRA
	42	20:00	SWE-CRO

Rest			
------	--	--	--

8-Jul	58	10:00	EGY-SWE
	59	12:00	ESP-CRO
	60	14:00	FRA-GER



2018 IHF Women's Junior (U20) World Championship
HUNGARY



EIGHTH-FINALS / PRESIDENT'S CUP

Hall Fonix			
Day	Match no.	Time	Match
10-Jul	61	09:30	PC 3: 6 A - 6B
	62	11:45	PC 1: 5 A - 5 B
	65	14:00	EF1: 1B - 4A
	66	16:15	EF2: 3D - 2C
	67	18:30	EF3: 3B - 2A
	68	20:45	EF4: 1D - 4C

Hall Hodos			
Day	Match no.	Time	Match
10-Jul	63	09:30	PC 4: 6 C - 6 D
	64	11:45	PC 2: 5 C - 5 D
	69	14:00	EF5: 3C - 2D
	70	16:15	EF6: 1A - 4B
	71	18:30	EF7: 3A - 2B
	72	20:45	EF8: 1C - 4D

QUARTER-FINALS / PRESIDENT'S CUP

Hall Fonix			
Day	Match no.	Time	Match
11-Jul	73	09:30	PL 19-20 : L PC1 - L PC2
	74	11:45	PL 17-18 : W PC1 - W PC2
	77	14:00	PL 11/12
	78	16:15	PI 9/10
	81	18:30	QF1 : W EF1 - W EF2
	82	20:45	QF2 : W EF3 - W EF4

Hall Hodos			
Day	Match no.	Time	Match
11-Jul	75	09:30	PL 23-24 : L PC3 - L PC4
	76	11:45	PL 21-22 : W PC3 - W PC4
	79	14:00	PL 15/16
	80	16:15	PL 13/14
	83	18:30	QF3 : W EF5 - W EF6
	84	20:45	QF4 : W EF7 - W EF8

Rest

SEMI-FINALS / Placement round 5-8

Hall Fonix			
Day	Match no.	Time	Match
13-Jul	85	12:30	PR9: L QF1 - L QF2
	86	15:00	PR10: L QF3 - L QF4
	87	17:30	SF 1 (WQF1-WQF2)
	88	20:00	SF2 (WQF3-WQF4)

FINALS / Placement matches 7/8 and 5/6

Hall Fonix			
Day	Match no.	Time	Match
14-Jul	89	12:30	PI 7/8
	90	15:00	PI 5/6
	91	17:30	PI 3/4
	92	20:00	Final

*Note: The IHF reserves the right to change the throw-off times of the matches at any time.
If qualified, HUN plays the EF and QF at 16:15, and the SF at 20:00 (all at Fonix hall).*

Training schedule

The training schedule has been drawn up by the Organising Committee and approved by the IHF and is attached hereto.

Training venues

Oláh Gábor Street Sports hall

Oláh Gábor u. 5
4032 Debrecen



Debrecen Universtiy Sports Science Centre Sports hall

Egyetem tér 1
4032 Debrecen



Match evaluation and determination of places

Preliminary Round

The preliminary round is played in groups. Matches shall be evaluated as follows:

- each match won = 2 points
- each match drawn = 1 point for each team
- each match lost = no points

Teams are ranked according to the total number of points gained.

If two or more teams have gained the same number of points after the group matches have been completed, classification is decided as follows:

- results in points between the teams concerned;
- goal differences in the matches between the teams concerned;
- greater number of plus goals in the matches between the teams concerned.

If the teams are still equal, a decision is made between those teams with an equal number of points as follows:

- goal difference is subtracted in all matches
- greater number of plus goals in all matches

If classification still is not possible, a draw shall decide. The IHF representative on site shall execute the draw, if possible in the presence of the 'responsible team officials'. If the 'responsible team official' cannot be present, other co-workers selected by the IHF shall take part.



Eighth-Finals, Quarter-Finals, Semi-Finals and Finals

After completion of the preliminary round, all matches shall be played in accordance with the knock-out system.

In case of a draw at the end of the regular playing time, after a break of five (5) minutes, a first overtime period of 2 x 5 minutes shall be played, changing sides halfway through with a one-minute break in-between. Provisions to the contrary set for individual tournaments shall be given priority.

If the match should still not be decided after this overtime period, after a break of 5 minutes, a second overtime period of 2 x 5 minutes shall be played, changing ends halfway through with a one minute break in-between.

Should the match still not be decided after the second overtime period, it is decided with 7m penalty throws in accordance with Rule 2:2 of the Rules of the Game.

Placement round / Placement matches

In case of a draw at the end of the regular playing time of all matches 7m penalty throws shall be executed to decide the match in accordance with Rule 2:2 of the Rules of the Game.

Placement matches 9-16

The losers of the Eighth-Finals will compete in the placement matches 9-16.

For this purpose a separate ranking of the teams concerned will be set up according to the following criteria:

- a) number of points gained against the teams ranked 1st-4th in the preliminary round in their group;
- b) if two or more teams have gained the same number of points the goal difference in the games mentioned under a) is decisive for the classification;
- c) if two or more teams have gained the same number of points as well as the same goal difference in the games mentioned under a) a decision on the classification is made based on the greater number of plus goals in these games;
- d) if two or more teams have gained the same number of points, the same goal difference and the same number of plus goals in the games mentioned under a) the classification of these teams is decided by lot through the competition management

Teams ranked 1st and 2nd in the corresponding ranking will play for places 9/10; teams ranked 3rd and 4th for places 11/12, etc.

Placement matches (9-16)

15/16: 7th ranked – 8th ranked*

13/14: 5th ranked – 6th ranked*

11/12: 3rd ranked – 4th ranked*

9/10: 1st ranked – 2nd ranked*

*according to the above mentioned ranking

Cancellation or discontinuation of match

If the match is cancelled or discontinued, the Competition Management shall decide on further action.

Official balls

Balls of IHF partner Molten will be used at the 2018 Women's Junior (U20) World Championship. Every participating team has received 10 balls in advance to get familiar with the balls.

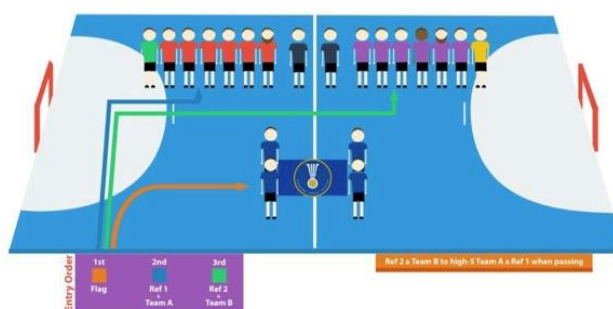
Anti-Doping

Doping tests will again be carried out at the 2018 Women's Junior (U20) World Championship. Further information will be provided by the IHF Anti-Doping Unit (ADU). Please contact the ADU for further queries you may have.

IHF-Anti-Doping Unit (ADU)
 Prof. Hosny Abdelrahman Ahmed, ADU Chairman
 Fumiaki Fujita, ADU
 Peter-Merian Str. 23
 P.O. Box
 CH-4002 Basel
 Switzerland
 Phone: +41 61 228 90 51
 Fax: +41 61 228 90 52
 E-mail: ihf.antidopingunit@ihf.info
 Web: www.ihf.info

Procedure before and after the match

Minute	Action
- 40'	Starting warm-up
- 16'	Coin toss
- 11'	Teams leave the court
- 10'	Players ready for walk-in / Welcome and walk in of the flags
- 9'	Entry of teams / referees
- 8'	Teams' presentation
- 4'	National anthems
0'	Start of the match



After the matches Line-up and shake hands



LOGISTICS AND ORGANISATIONAL MATTERS



**2018 IHF Women's Junior (U20) World Championship
HUNGARY**



Accommodation

All teams will be accommodated in hotels approved by the International Handball Federation, as outlined in chapter "Venues".

Eight double rooms and five single rooms will be available for each delegation. One of the single rooms will have a bigger size to be used by the physiotherapist of the team.

Internet access free of charge shall be available at the hotel.

Duration of stay / Arrival and departure

The teams shall in general arrive on Sunday, 01 July with the exemption of the team of BRA, which is playing the opening match against HUN on 01 July and shall therefore arrive on 30 June. Please note that rooms will in general not be available before 14:00 on the arrival day, meaning should your team arrive early morning and should you wish to have the rooms available upon arrival, additional fees may arise.

Departure depends on the match scheme, but in general is effected one day after the last match (check-out time is 10:00). Earlier arrival and later departure is possible. Please check with the organiser.

Teams participating in the placement matches 17-24 and 9-16 will leave on 12 July 2018.
Departure for all other teams is 15 July 2018.

Meals

The participating teams have the right to four meals per day: breakfast, lunch, snack (on match days only), dinner. Requests in terms of special diet etc. should be communicated to the OC directly.

Meeting rooms

The organiser will reserve meeting rooms for the teams and provide the necessary furniture and technical equipment free of charge. The meeting rooms for the teams shall dispose of a screen + projector / TV set and a video player.

Laundry

Laundry service has been arranged externally for all teams. A laundry pick-up point will be installed in each team hotel. The OC will inform about the exact procedure and the price during the technical meeting.

Official 2018 WJWCh website

The official website of the 2018 Women's Junior (U20) World Championship in Hungary is www.hungaryhandball2018.hu.



2018 IHF Women's Junior (U20) World Championship HUNGARY



Video recordings

Generally all teams are allowed to take video recordings although some restrictions may be necessary on account of the space available. The organiser shall provide a special place in the hall for the person taking the video.

One person from each team is allowed to take video recordings at the hall. Recordings may only be used for internal purposes or for developing team tactics and must not be commercially exploited.

Match USB stick / Hard drive

Please be informed that recordings of each match will be provided on USB sticks/hard drives. Further information will be provided at the Technical Meeting.

Scouting system

The IHF and the organiser assure the data processing to produce all match-relevant statistics. All statistics will be available at www.ihf.info.

Awards and ceremonies

Medals and certificates shall be awarded to the three top teams as follows:

- 1st place and World Champion (gold)
- 2nd place (silver)
- 3rd place (bronze)

On the podium a total of 25 persons are allowed (players who have participated in the World Championship and team officials A-E).

Closing banquet

Depending on the travel schedule of the teams, the organiser may prepare a closing banquet for the participating delegations and the IHF representatives. Further information will be provided on site.



TELEVISION, MEDIA AND ADVERTISING



2018 IHF Women's Junior (U20) World Championship
HUNGARY



TV rights

The IHF owns all TV and marketing rights. In case the participating teams are interested in TV rights, they are requested to contact the IHF.

For any queries regarding marketing, please contact the IHF Marketing Department:

Mr Luc Weber

Phone: +41 61 28 90 40

Email: ihf.office@ihf.info

Press conference

Press conferences will be organised upon corresponding requests. The IHF Media Department will inform about special requirements on site.

Advertising on sportswear

Rights in respect of advertising on sportswear are laid down in the Regulations for Advertising.

Please be notified that the outer side of sleeves is **exclusively** reserved for the International Handball Federation (without financial participation by the participants).

Live-streaming

Live-streaming of all matches of the 2018 Women's Junior (U20) will be provided on the IHF website and the event website.



***FINANCIAL SECTION
(for teams)***



2018 IHF Women's Junior (U20) World Championship
HUNGARY



Bank account details

Event Holder:

International Handball Federation

Raiffeisenbank Birsig Genossenschaft

Account no: 51859.40

IBAN: CH07 8077 4000 0051 8594 0

SWIFT: RAIFCH22774

Bank clearing number: 80774

Payment reference: 2018 WJWCh HUN

Organiser:

Magyar Kézilabda Szövetség

K&H Bank

Lechner Ödön fasor 9

H-1095 Budapest

IBAN: HU72 1040 0126 4948 5049 5453 1249

SWIFT: OKHBHUHB

Payment reference: 2018 WJWCh HUN

The participants shall bear the following costs

a) Travel expenses

The entire delegation's travel expenses for the outward journey to the first venue and for the return trip from the last venue.

b) Visa costs

The participating delegations shall bear all visa-relevant costs.

c) Registration fee

The participating nations shall pay the IHF a registration fee of CHF 500.- **no later than 01 June 2018** (please refer to 5.1. for the corresponding bank details).

d) Participation fee

The participants shall pay the IHF a participation fee of CHF 125.-- per person (official delegation members) and day of stay during the official WCh period. The corresponding sum is payable **no later than 01 June 2018.**

e) Fixed deposit

By the deadline fixed for payment, all participating teams must pay the IHF, at the same time as the registration fee (**01 June 2018**), a deposit of CHF 5,000.-, which will be taken on account or repaid. If a registering federation has the uncharged sum of CHF 5,000.- on its IHF account, this may be used as the fixed deposit.

Accident and sickness insurance

The federations taking part in World Championships are obliged to insure all delegation members, i.e. all players and all officials, against accident and sickness, at their own cost. The organiser and the IHF shall not be held liable for any accidents that occur or any sickness.

Days of stay

When calculating the days of stay, the number of days is generally counted from 12 noon on the day of arrival to 12 noon on the day of departure, i.e. although the days of arrival and departure make up two calendar days, they represent only one fee-paying day. (Additional meals - on the day of arrival possibly breakfast, on the day of departure possibly lunch and/or dinner - shall be paid for in addition.)



2018 IHF Women's Junior (U20) World Championship HUNGARY



Additional days of stay

The participating teams may, with the organiser's agreement, arrive earlier or leave later provided they bear additional costs themselves. The price for additional days of official delegation members (16 players, 5 officials in eight double rooms and five single rooms) is CHF 199.-- during the official WCh period and also outside the official WCh period.

Special attention is drawn to the information provided in the info package regarding the **"Early-Arrival / Jet-lag day"**:

Early arrival/"Jet-lag day"

As a special service of the OC, teams may arrive on 30 June already, with the regular participation fee being applied; additionally, and on request only, all participating nations arriving from more than 4,000km can request a "jet-lag day", which entitles them to arrive on 29 June already with the regular participation fee being applied.

Important: Extra persons are charged in any case at the fee for extra persons (CHF 199.-).

Additional participants

The organiser can guarantee accommodation for **27** persons at most provided the participating federation bears the costs for additional delegation members itself. Rooms for further persons (in addition to the mentioned 27 persons) might be available on request. The price for additional persons for the duration of the World Championship is CHF 199.- per person and day.

The participating federation shall inform the IHF and the organiser on further delegation members until the announced deadline. The organiser will not be able to guarantee accommodation for persons registered past the named deadline.

All costs for additional days of stay and/or additional participants need to be paid to the bank account of the Hungarian Handball Federation as organiser of the event (please refer to the corresponding bank details stipulated at the beginning of this chapter).

The following costs shall be borne by the organiser:

Expenses in the host country

All expenses arising within the host country in connection with the games.

Board and lodging

Board and lodging due to the IHF Regulations for a maximum of 21 persons (up to 16 players and the remainder officials) per federation, from 30 June/01 July until the day after the last match or to 15 July 2018 at the latest.



2018 IHF Women's Junior (U20) World Championship **HUNGARY**



Teams which do not participate in the competition anymore but have paid the fixed extra costs have the same rights as teams still participating. However, teams still participating at the competition have the prerogative in terms of services.

Tickets

If federations would like to purchase match tickets, please contact the OC or visit the official event website www.hungaryhandball2018.hu.



DAY-TO-DAY SCHEDULE



2018 IHF Women's Junior (U20) World Championship
HUNGARY



Preliminary Round

Group A – FÖNIX HALL

Date	No.	Time	Teams	Result	Half-time
01/07/2018	1	18:00	HUN – BRA		
02/07/2018	2	12:00	NOR – CIV		
02/07/2018	3	14:00	MNE – POR		
04/07/2018	19	16:00	CIV – MNE		
04/07/2018	20	18:00	POR – HUN		
04/07/2018	21	20:00	BRA – NOR		
05/07/2018	25	16:00	HUN – CIV		
05/07/2018	26	18:00	NOR – MNE		
05/07/2018	27	20:00	BRA – POR		
07/07/2018	43	13:30	MNE – HUN		
07/07/2018	44	15:30	NOR – POR		
07/07/2018	45	17:30	CIV – BRA		
08/07/2018	49	16:00	POR – CIV		
08/07/2018	50	18:00	HUN – NOR		
08/07/2018	51	20:00	MNE – BRA		

Results + Rankings

Date	Teams	Result	Half-time
01/07/2018	HUN – BRA		
02/07/2018	NOR – CIV		
02/07/2018	MNE – POR		

Pos	Team	Matches	Won	Draw	Lost	Points	Score
1							
2							
3							
4							
5							
6							

Date	Teams	Result	Half-time
04/07/2018	CIV – MNE		
04/07/2018	POR – HUN		
04/07/2018	BRA – NOR		

Pos	Team	Matches	Won	Draw	Lost	Points	Score
1							
2							
3							
4							
5							
6							



2018 IHF Women's Junior (U20) World Championship
HUNGARY



Date	Teams	Result	Half-time
05/07/2018	HUN – CIV		
05/07/2018	NOR – MNE		
05/07/2018	BRA – POR		

Pos	Team	Matches	Won	Draw	Lost	Points	Score
1							
2							
3							
4							
5							
6							

Date	Teams	Result	Half-time
07/07/2018	MNE – HUN		
07/07/2018	NOR – POR		
07/07/2018	CIV – BRA		

Pos	Team	Matches	Won	Draw	Lost	Points	Score
1							
2							
3							
4							
5							
6							

Date	Teams	Result	Half-time
08/07/2018	POR – CIV		
08/07/2018	HUN – NOR		
08/07/2018	MNE – BRA		

Pos	Team	Matches	Won	Draw	Lost	Points	Score
1							
2							
3							
4							
5							
6							



2018 IHF Women's Junior (U20) World Championship
HUNGARY



Group B – FÖNIX HALL

Date	No.	Time	Teams	Result	Half-time
02/07/2018	4	16:00	RUS – CHN		
02/07/2018	5	18:00	KOR – ISL		
02/07/2018	6	20:00	SLO – CHI		
03/07/2018	13	16:00	CHN – KOR		
03/07/2018	14	18:00	CHI – RUS		
03/07/2018	15	20:00	ISL – SLO		
05/07/2018	28	10:00	RUS – ISL		
05/07/2018	29	12:00	KOR – SLO		
05/07/2018	30	14:00	CHN – CHI		
06/07/2018	37	16:00	KOR – CHI		
06/07/2018	38	18:00	SLO – RUS		
06/07/2018	39	20:00	ISL – CHN		
08/07/2018	52	10:00	CHI – ISL		
08/07/2018	53	12:00	SLO- CHN		
08/07/2018	54	14:00	RUS – KOR		

Results + Rankings

Date	Teams	Result	Half-time
02/07/2018	RUS – CHN		
02/07/2018	KOR – ISL		
02/07/2018	SLO – CHI		

Pos	Team	Matches	Won	Draw	Lost	Points	Score
1							
2							
3							
4							
5							
6							

Date	Teams	Result	Half-time
03/07/2018	CHN – KOR		
03/07/2018	CHI – RUS		
03/07/2018	ISL – SLO		

Pos	Team	Matches	Won	Draw	Lost	Points	Score
1							
2							
3							
4							
5							
6							



2018 IHF Women's Junior (U20) World Championship
HUNGARY



Date	Teams	Result	Half-time
05/07/2018	RUS – ISL		
05/07/2018	KOR – SLO		
05/07/2018	CHN – CHI		

Pos	Team	Matches	Won	Draw	Lost	Points	Score
1							
2							
3							
4							
5							
6							

Date	Teams	Result	Half-time
06/07/2018	KOR – CHI		
06/07/2018	SLO – RUS		
06/07/2018	ISL – CHN		

Pos	Team	Matches	Won	Draw	Lost	Points	Score
1							
2							
3							
4							
5							
6							

Date	Teams	Result	Half-time
08/07/2018	CHI – ISL		
08/07/2018	SLO- CHN		
08/07/2018	RUS – KOR		

Pos	Team	Matches	Won	Draw	Lost	Points	Score
1							
2							
3							
4							
5							
6							



2018 IHF Women's Junior (U20) World Championship
HUNGARY



Group C – HODOS HALL

Date	No.	Time	Teams	Result	Half-time
02/07/2018	7	10:00	DEN – ANG		
02/07/2018	8	12:00	NED – PAR		
02/07/2018	9	14:00	ROU – JPN		
04/07/2018	22	16:00	PAR – ROU		
04/07/2018	23	18:00	JPN – DEN		
04/07/2018	24	20:00	ANG – NED		
05/07/2018	31	16:00	DEN – PAR		
05/07/2018	32	18:00	NED – ROU		
05/07/2018	33	20:00	ANG – JPN		
07/07/2018	46	13:30	NED – JPN		
07/07/2018	47	15:30	ROU – DEN		
07/07/2018	48	17:30	PAR – ANG		
08/07/2018	55	16:00	JPN – PAR		
08/07/2018	56	18:00	ROU – ANG		
08/07/2018	57	20:00	DEN – NED		

Results + Rankings

Date	Teams	Result	Half-time
02/07/2018	DEN – ANG		
02/07/2018	NED – PAR		
02/07/2018	ROU – JPN		

Pos	Team	Matches	Won	Draw	Lost	Points	Score
1							
2							
3							
4							
5							
6							

Date	Teams	Result	Half-time
04/07/2018	PAR – ROU		
04/07/2018	JPN – DEN		
04/07/2018	ANG – NED		

Pos	Team	Matches	Won	Draw	Lost	Points	Score
1							
2							
3							
4							
5							
6							



2018 IHF Women's Junior (U20) World Championship
HUNGARY



Date	Teams	Result	Half-time
05/07/2018	DEN – PAR		
05/07/2018	NED – ROU		
05/07/2018	ANG – JPN		

Pos	Team	Matches	Won	Draw	Lost	Points	Score
1							
2							
3							
4							
5							
6							

Date	Teams	Result	Half-time
07/07/2018	NED – JPN		
07/07/2018	ROU – DEN		
07/07/2018	PAR – ANG		

Pos	Team	Matches	Won	Draw	Lost	Points	Score
1							
2							
3							
4							
5							
6							

Date	Teams	Result	Half-time
08/07/2018	JPN – PAR		
08/07/2018	ROU – ANG		
08/07/2018	DEN – NED		

Pos	Team	Matches	Won	Draw	Lost	Points	Score
1							
2							
3							
4							
5							
6							



2018 IHF Women's Junior (U20) World Championship
HUNGARY



Group D – HODOS HALL

Date	No.	Time	Teams	Result	Half-time
02/07/2018	10	16:00	FRA – CRO		
02/07/2018	11	18:00	GER – SWE		
02/07/2018	12	20:00	ESP – EGY		
03/07/2018	16	16:00	CRO – GER		
03/07/2018	17	18:00	EGY – FRA		
03/07/2018	18	20:00	SWE – ESP		
05/07/2018	34	10:00	FRA – SWE		
05/07/2018	35	12:00	GER – ESP		
05/07/2018	36	14:00	CRO – EGY		
06/07/2018	40	16:00	GER – EGY		
06/07/2018	41	18:00	ESP – FRA		
06/07/2018	42	20:00	SWE – CRO		
08/07/2018	58	10:00	EGY – SWE		
08/07/2018	59	12:00	ESP – CRO		
08/07/2018	60	14:00	FRA – GER		

Results + Rankings

Date	Teams	Result	Half-time
02/07/2018	FRA – CRO		
02/07/2018	GER – SWE		
02/07/2018	ESP – EGY		

Pos	Team	Matches	Won	Draw	Lost	Points	Score
1							
2							
3							
4							
5							
6							

Date	Teams	Result	Half-time
03/07/2018	CRO – GER		
03/07/2018	EGY – FRA		
03/07/2018	SWE – ESP		

Pos	Team	Matches	Won	Draw	Lost	Points	Score
1							
2							
3							
4							
5							
6							



2018 IHF Women's Junior (U20) World Championship
HUNGARY



Date	Teams	Result	Half-time
05/07/2018	FRA – SWE		
05/07/2018	GER – ESP		
05/07/2018	CRO – EGY		

Pos	Team	Matches	Won	Draw	Lost	Points	Score
1							
2							
3							
4							
5							
6							

Date	Teams	Result	Half-time
06/07/2018	GER – EGY		
06/07/2018	ESP – FRA		
06/07/2018	SWE – CRO		

Pos	Team	Matches	Won	Draw	Lost	Points	Score
1							
2							
3							
4							
5							
6							

Date	Teams	Result	Half-time
08/07/2018	EGY – SWE		
08/07/2018	ESP – CRO		
08/07/2018	FRA – GER		

Pos	Team	Matches	Won	Draw	Lost	Points	Score
1							
2							
3							
4							
5							
6							



2018 IHF Women's Junior (U20) World Championship
HUNGARY



Eighth-Finals

Date	No	Time	Match	Teams	Results	Venue
10/07/18	65	14:00	EF1: 1B - 4A			Fonix Hall
10/07/18	66	16:15	EF2: 3D - 2C			Fonix Hall
10/07/18	67	18:30	EF3: 3B - 2A			Fonix Hall
10/07/18	68	20:45	EF4: 1D - 4C			Fonix Hall
10/07/18	69	14:00	EF5 : 3C - 2D			Hodos Hall
10/07/18	70	16:15	EF6 : 1A - 4B			Hodos Hall
10/07/18	71	18:30	EF7: 3A - 2B			Hodos Hall
10/07/18	72	20:45	EF8: 1C - 4D			Hodos Hall

President's Cup

Date	No	Time	Match	Teams	Results	Venue
10/07/18	61	09:30	PC 3: 6A - 6B			Fonix Hall
10/07/18	62	11:45	PC 1: 5A - 5B			Fonix Hall
10/07/18	63	09:30	PC 4: 6C - 6D			Hodos Hall
10/07/18	64	11:45	PC 2: 5C - 5D			Hodos Hall

President's Cup

Date	No	Time	Match	Teams	Results	Venue
11/07/18	73	09:30	PL 19/20 : L PC1 - L PC2			Fonix Hall
11/07/18	74	11:45	PL 17/18 : W PC1 - W PC2			Fonix Hall
11/07/18	75	09:30	PL 23/24 : L PC3 - L PC4			Hodos Hall
11/07/18	76	11:45	PL 21/22 : W PC3 - W PC4			Hodos Hall

Placement Matches 9 - 16

Date	No	Time	Match	Teams	Results	Venue
11/07/18	77	14:00	PM : PL 11 / 12			Fonix Hall
11/07/18	78	16:15	PM : PL 9 / 10			Fonix Hall
11/07/18	79	14:00	PM : PL 15 / 16			Hodos Hall
11/07/18	80	16:15	PM : PL 13 / 14			Hodos Hall

Quarter-Finals

Date	No	Time	Match	Teams	Results	Venue
11/07/18	81	18:30	QF1 : WEF 1 - WEF 2			Fonix Hall
11/07/18	82	20:45	QF2 : WEF 3 - WEF 4			Fonix Hall
11/07/18	83	18:30	QF3: WEF 5 - WEF 6			Hodos Hall
11/07/18	84	20:45	QF4: WEF 7 - WEF 8			Hodos Hall



2018 IHF Women's Junior (U20) World Championship
HUNGARY



Placement Round 5 - 8

Date	No	Time	Match	Teams	Results	Venue
13/07/18	85	12:30	PR9: L QF 1 – L QF 2			Fonix Hall
13/07/18	86	15:00	PR10 : L QF 3 – L QF 4			Fonix Hall

Semi-Finals

Date	No	Time	Match	Teams	Results	Venue
13/07/18	87	17:30	SF 1 : WQF 1 - WQF 2			Fonix Hall
13/07/18	88	20:00	SF 2 : WQF 3 - WQF 4			Fonix Hall

Placement Matches 5 - 8

Date	No	Time	Match	Teams	Results	Venue
14/07/18	89	12:30	PL: 7 / 8			Fonix Hall
14/07/18	90	15:00	PL: 5 / 6			Fonix Hall

3/4 Place / Final

Date	No	Time	Match	Teams	Results	Venue
14/07/18	91	17:30	Pl 3 / 4			Fonix Hall
14/07/18	92	20:00	Final			Fonix Hall