



# IHF Women's Junior (U20) World Championship

Hungary (Debrecen)

Preliminary Round - Group D



Match Team Statistics

Match No. 40

## Germany 51 - 19 Egypt

(26 - 7) (25 - 12)

6.7.2018. 16:00

Attendance: 120

Hodos Imre Sports hall

Referees: Yufeng Cheng (CHN) / Yunlei Zhou (CHN)

### Germany

| #  | Surname and name | Goals / shots |     |      |     |       |     |       |       | Attack |    |    |    | Def. |    |     | Penalties |    |    |    | TP    |
|----|------------------|---------------|-----|------|-----|-------|-----|-------|-------|--------|----|----|----|------|----|-----|-----------|----|----|----|-------|
|    |                  | Tot.          | %   | 9m   | 6m  | Wing  | 7m  | Fst   | Brk.  | As.    | E7 | E2 | TF | St.  | C7 | Blk | YC        | 2m | RC | BC |       |
| 2  | KALMBACH Selina  | 7/8           | 88  |      |     | 3/3   |     | 4/5   |       | 1      | 2  | 1  |    | 1    |    |     |           |    |    |    | 29:30 |
| 3  | BERGER Amelie    | 2/3           | 67  |      |     | 1/1   |     | 1/2   |       |        |    |    |    |      |    |     |           |    |    |    | 18:22 |
| 6  | DE BELLIS Louisa | 2/3           | 67  |      |     |       |     | 1/1   | 1/2   | 2      | 2  |    |    | 1    |    | 1   |           |    |    |    | 40:18 |
| 7  | FISCHER Nina     | 9/13          | 69  |      |     | 4/6   |     | 3/4   | 2/3   |        |    |    |    | 2    |    |     |           |    |    |    | 39:17 |
| 9  | SOUZA Jennifer   | 5/5           | 100 |      |     | 3/3   |     | 2/2   |       |        |    |    |    |      |    |     |           |    |    |    | 30:00 |
| 11 | ZSCHOCKE Mia     | 5/6           | 83  | 2/3  |     |       |     |       |       | 3/3    | 7  | 1  | 1  | 1    |    | 1   |           |    |    |    | 32:46 |
| 12 | WACHTER Sarah    |               |     |      |     |       |     |       |       | 5      |    |    |    |      |    |     |           |    |    |    | 57:48 |
| 14 | SOFFEL Alicia    | 3/3           | 100 |      | 1/1 |       |     |       |       | 2/2    | 5  |    |    |      | 2  | 2   |           |    | 1  |    | 31:53 |
| 16 | RÜHTER Lea       |               |     |      |     |       |     |       |       |        |    |    |    |      |    |     |           |    |    |    |       |
| 17 | DÖLLE Isabell    | 7/10          | 70  | 0/2  | 1/1 |       | 4/5 | 2/2   |       | 4      |    |    |    |      |    | 1   | 1         | 2  |    |    | 32:31 |
| 18 | REDDER Julia     | 3/5           | 60  | 2/4  |     |       | 1/1 |       |       | 3      |    |    |    | 1    |    |     |           | 1  |    |    | 32:10 |
| 19 | LOTT Annika      | 1/1           | 100 |      | 1/1 |       |     |       |       | 1      |    |    |    |      |    |     |           |    |    |    | 9:08  |
| 20 | ANTL Lisa        | 2/3           | 67  |      | 1/2 |       |     |       | 1/1   |        |    |    |    | 1    |    | 1   |           | 1  |    |    | 17:13 |
| 21 | FRANZ Nele       | 2/3           | 67  | 0/1  | 1/1 |       |     |       | 1/1   | 2      |    |    | 1  | 1    |    |     |           |    |    |    | 18:10 |
| 23 | DEGENHARDT Lena  | 1/1           | 100 | 1/1  |     |       |     |       |       | 2      | 1  |    | 1  |      |    | 2   | 1         | 1  |    |    | 16:15 |
| 27 | MAIDHOF Julia    | 2/3           | 67  | 1/1  |     |       |     | 1/1   | 0/1   | 1      |    |    |    |      | 1  |     |           |    |    |    | 14:39 |
|    | Team / bench     |               |     |      |     |       |     |       |       |        |    |    |    |      |    |     |           |    |    |    |       |
|    | UKUPNO           | 51/67         | 76  | 6/12 | 5/6 | 11/13 | 5/6 | 14/17 | 10/13 | 33     | 6  | 2  | 3  | 9    | 4  | 5   | 2         | 6  | 0  | 0  |       |

| Goalkeepers |                  | Saves / shots |    |     |      |      |     |      |      |
|-------------|------------------|---------------|----|-----|------|------|-----|------|------|
| #           | Surname and name | Tot.          | %  | 9m  | 6m   | Wing | 7m  | Fst. | Brk. |
| 12          | WACHTER Sarah    | 12/31         | 39 | 5/7 | 2/14 | 4/5  | 1/4 |      | 0/1  |
| 16          | RÜHTER Lea       |               |    |     |      |      |     |      |      |
|             | TOTAL            | 12/31         | 39 | 5/7 | 2/14 | 4/5  | 1/4 | 0/0  | 0/1  |

Coach: Marielle Bohm

### Attack

|                            | Total sh. | 9m shots | 6m shots | Wing sh. | Trn. | Ern.7m | Ern.2m |
|----------------------------|-----------|----------|----------|----------|------|--------|--------|
| On defence 6-0             | 22/31     | 6/12     | 5/6      | 11/13    | 3    | 6      | 2      |
| In transition (no defence) | 24/30     |          |          |          | 0    | 0      | 0      |

### Saves

|                            | Total | 9m shots | 6m shots | Wing sh. | Stl. | Cmt.7m | 2m |
|----------------------------|-------|----------|----------|----------|------|--------|----|
| Defense 6-0                | 8/18  | 2/8      | 6/7      | 0/3      | 6    | 2      | 0  |
| Defense 5-1                | 7/20  | 0/7      | 6/8      | 1/5      | 3    | 2      | 5  |
| Defense 4-2                | 0/1   | 0/1      | 0/0      | 0/0      | 0    | 0      | 0  |
| Defense pressing           | 0/1   | 0/0      | 0/1      | 0/0      | 0    | 0      | 0  |
| In transition (no defence) | 1/1   |          |          |          | 0    | 0      | 1  |

### Shooting statistics

| Position     | Goals     | Saves     | Missed   | Post     | Blocked  | Total     | %         |
|--------------|-----------|-----------|----------|----------|----------|-----------|-----------|
| Back (9m)    | 6         | 3         | 0        | 1        | 2        | 12        | 50        |
| Line (6m)    | 5         | 1         | 0        | 0        | 0        | 6         | 83        |
| Wing         | 11        | 1         | 1        | 0        | 0        | 13        | 85        |
| 7m penalties | 5         | 1         | 0        | 0        | 0        | 6         | 83        |
| Fastbreak    | 14        | 1         | 1        | 1        | 0        | 17        | 82        |
| Breakthrough | 10        | 3         | 0        | 0        | 0        | 13        | 77        |
| <b>Total</b> | <b>51</b> | <b>10</b> | <b>2</b> | <b>2</b> | <b>2</b> | <b>67</b> | <b>76</b> |

# Jersey number Tot. Total shooting 6m 6m (line) shooting 9m 9m shooting Wng. Wing shooting Fst. Fastbreak sh. 7m 7m penalty sh.  
 Brk. Breakthrough sh. As. Assists E7 Earned 7m pen. TF Technical Faults St. Steals 2m 2m punishments C7. Committed 7m  
 E2 Earned 2m pun. YC. Yellow cards RC Red cards BC Blue cards Blk. Blocks



# IHF Women's Junior (U20) World Championship

Hungary (Debrecen)

Preliminary Round - Group D



Match Team Statistics

Match No. 40

## Germany 51 - 19 Egypt

(26 - 7) (25 - 12)

6.7.2018. 16:00

Attendance: 120

Hodos Imre Sports hall

Referees: Yufeng Cheng (CHN) / Yunlei Zhou (CHN)

### Shot distribution by player

**2 S. Kalmbach**

|     |     |     |
|-----|-----|-----|
| 1/1 |     |     |
| 2/2 |     |     |
| 2/2 | 2/2 | 0/1 |

**3 A. Berger**

|     |     |  |
|-----|-----|--|
|     | 1/1 |  |
|     |     |  |
| 1/1 |     |  |

1 post

**6 L. De Bellis**

|     |  |     |
|-----|--|-----|
| 1/1 |  | 1/1 |
| 0/1 |  |     |
|     |  |     |

**7 N. Fischer**

|     |     |     |
|-----|-----|-----|
| 1/1 | 1/1 | 1/2 |
| 0/1 |     | 2/2 |
| 3/3 | 1/1 |     |

2 miss.

**9 J. Souza**

|     |  |     |
|-----|--|-----|
| 1/1 |  | 1/1 |
|     |  |     |
| 2/2 |  | 1/1 |

**11 M. Zschocke**

|     |  |     |
|-----|--|-----|
| 3/3 |  |     |
| 1/1 |  |     |
|     |  | 1/1 |

1 post

**14 A. Soffel**

|     |  |     |
|-----|--|-----|
| 1/1 |  |     |
|     |  |     |
|     |  | 2/2 |

**17 I. Dölle**

|     |     |     |
|-----|-----|-----|
| 0/1 |     |     |
| 1/1 |     |     |
| 1/1 | 1/1 | 4/5 |

1 block

**18 J. Redder**

|     |     |     |
|-----|-----|-----|
| 2/2 |     | 1/1 |
|     | 0/1 | 0/1 |
|     |     |     |

**19 A. Lott**

|  |  |     |
|--|--|-----|
|  |  |     |
|  |  |     |
|  |  | 1/1 |

**20 L. Antl**

|     |  |     |
|-----|--|-----|
|     |  |     |
| 1/1 |  | 1/2 |
|     |  |     |

**21 N. Franz**

|     |  |  |
|-----|--|--|
|     |  |  |
| 2/2 |  |  |
|     |  |  |

1 block

**23 L. Degenhardt**

|     |  |  |
|-----|--|--|
|     |  |  |
|     |  |  |
| 1/1 |  |  |

**27 J. Maidhof**

|     |  |     |
|-----|--|-----|
| 1/1 |  |     |
|     |  | 0/1 |
|     |  | 1/1 |

### TOTAL

|       |     |       |
|-------|-----|-------|
| 11/12 | 2/2 | 4/5   |
| 7/9   | 0/1 | 3/6   |
| 10/10 | 4/4 | 10/12 |

2 post 2 miss. 2 block

### Saves distribution goalkeepers

**12 S. Wachter**

|     |     |     |
|-----|-----|-----|
| 1/1 | 2/4 | 1/4 |
| 0/2 | 2/2 | 2/2 |
| 3/7 | 0/4 | 1/5 |

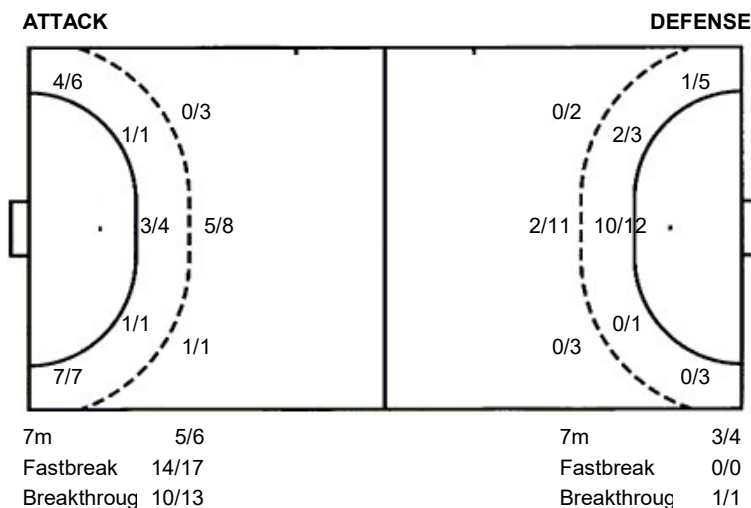
**16 L. Rührer**

|  |  |  |
|--|--|--|
|  |  |  |
|  |  |  |
|  |  |  |

**TOTAL**

|     |     |     |
|-----|-----|-----|
| 1/1 | 2/4 | 1/4 |
| 0/2 | 2/2 | 2/2 |
| 3/7 | 0/4 | 1/5 |

### Shots by position





# IHF Women's Junior (U20) World Championship

Hungary (Debrecen)

Preliminary Round - Group D



Match Team Statistics

Match No. 40

## Germany 51 - 19 Egypt

(26 - 7) (25 - 12)

6.7.2018. 16:00

Attendance: 120

Hodos Imre Sports hall

Referees: Yufeng Cheng (CHN) / Yunlei Zhou (CHN)

### Egypt

| #  | Surname and name           | Goals / shots |     |      |       |      |     |     |      | Attack |    |    |    | Def. |    |     | Penalties |    |    |    | TP    |
|----|----------------------------|---------------|-----|------|-------|------|-----|-----|------|--------|----|----|----|------|----|-----|-----------|----|----|----|-------|
|    |                            | Tot.          | %   | 9m   | 6m    | Wing | 7m  | Fst | Brk. | As.    | E7 | E2 | TF | St.  | C7 | Blk | YC        | 2m | RC | BC |       |
| 1  | WAEL Leila                 |               |     |      |       |      |     |     |      |        |    |    |    |      |    |     |           |    |    |    | 60:00 |
| 4  | SHERIF Leila               | 4/4           | 100 |      | 4/4   |      |     |     |      |        | 1  | 2  | 2  |      |    |     |           | 1  |    |    | 30:06 |
| 6  | SAKR Donia                 | 1/4           | 25  | 0/1  | 1/1   | 0/2  |     |     |      |        |    |    | 1  |      |    |     | 1         |    |    |    | 60:00 |
| 11 | DARWISH Reem               | 0/2           | 0   |      |       | 0/2  |     |     |      |        |    |    |    |      | 1  |     |           | 1  |    |    | 31:16 |
| 14 | WAEL Mennatallah           | 1/2           | 50  |      |       | 1/2  |     |     |      |        |    | 1  | 2  |      |    |     |           |    |    |    | 39:10 |
| 17 | ELMAKSOU Yara              |               |     |      |       |      |     |     |      |        |    |    |    |      |    |     |           |    |    |    |       |
| 18 | ABDELRAHEEM HASSAN Yasmine | 3/3           | 100 |      | 3/3   |      |     |     |      |        | 1  | 1  | 1  |      |    | 2   | 1         |    |    | 1  | 45:01 |
| 33 | WAZERY Shaimaa             | 5/14          | 36  | 1/8  | 2/3   |      | 2/3 |     |      | 2      |    | 1  | 8  | 1    |    |     |           |    |    |    | 48:41 |
| 65 | HUSEIN Esraa               | 4/8           | 50  | 1/4  | 2/3   |      | 1/1 |     |      | 4      | 1  |    | 3  |      | 2  | 2   | 1         |    |    |    | 60:00 |
| 88 | WAHEED Yasmine             |               |     |      |       |      |     |     |      |        |    |    |    |      |    |     |           |    |    |    |       |
| 89 | MAMDOUH Nada               | 1/8           | 13  | 0/3  | 0/2   | 0/2  |     |     | 1/1  | 1      | 1  | 1  | 2  |      |    |     |           |    |    |    | 45:46 |
| 99 | SAMY Mayar                 |               |     |      |       |      |     |     |      |        |    |    |    |      |    |     |           |    |    |    |       |
|    | Team / bench               |               |     |      |       |      |     |     |      |        |    |    |    |      |    |     |           |    |    |    |       |
|    | UKUPNO                     | 19/45         | 42  | 2/16 | 12/16 | 1/8  | 3/4 | 0/0 | 1/1  | 7      | 4  | 6  | 19 | 1    | 6  | 3   | 2         | 2  | 1  | 0  |       |

| # | Surname and name | Saves / shots |    |     |     |      |     |      |      |
|---|------------------|---------------|----|-----|-----|------|-----|------|------|
|   |                  | Tot.          | %  | 9m  | 6m  | Wing | 7m  | Fst. | Brk. |
| 1 | WAEL Leila       | 10/61         | 16 | 3/9 | 1/6 | 1/12 | 1/6 | 1/15 | 3/13 |
|   | TOTAL            | 10/61         | 16 | 3/9 | 1/6 | 1/12 | 1/6 | 1/15 | 3/13 |

Coach: Nasser Abdelwahid

### Attack

|                            | Total sh. | 9m shots | 6m shots | Wing sh. | Trn. | Ern.7m | Ern.2m |
|----------------------------|-----------|----------|----------|----------|------|--------|--------|
| On defence 6-0             | 8/18      | 2/8      | 6/7      | 0/3      | 13   | 2      | 0      |
| On defence 5-1             | 7/20      | 0/7      | 6/8      | 1/5      | 6    | 2      | 6      |
| On defence 4-2             | 0/1       | 0/1      | 0/0      | 0/0      | 0    | 0      | 0      |
| On defence pressing        | 0/1       | 0/0      | 0/1      | 0/0      | 0    | 0      | 0      |
| In transition (no defence) | 1/1       |          |          |          | 0    | 0      | 0      |

### Saves

|                            | Total | 9m shots | 6m shots | Wing sh. | Stl. | Cmt.7m | 2m |
|----------------------------|-------|----------|----------|----------|------|--------|----|
| Defense 6-0                | 22/31 | 6/12     | 5/6      | 11/13    | 1    | 6      | 2  |
| In transition (no defense) | 24/30 |          |          |          | 0    | 0      | 0  |

### Shooting statistics

| Position     | Goals     | Saves     | Missed   | Post     | Blocked  | Total     | %         |
|--------------|-----------|-----------|----------|----------|----------|-----------|-----------|
| Back (9m)    | 2         | 5         | 3        | 2        | 4        | 16        | 13        |
| Line (6m)    | 12        | 2         | 1        | 1        | 0        | 16        | 75        |
| Wing         | 1         | 4         | 2        | 1        | 0        | 8         | 13        |
| 7m penalties | 3         | 1         | 0        | 0        | 0        | 4         | 75        |
| Fastbreak    | 0         | 0         | 0        | 0        | 0        | 0         | 0         |
| Breakthrough | 1         | 0         | 0        | 0        | 0        | 1         | 100       |
| <b>Total</b> | <b>19</b> | <b>12</b> | <b>6</b> | <b>4</b> | <b>4</b> | <b>45</b> | <b>42</b> |

# Jersey number Tot. Total shooting 6m 6m (line) shooting 9m 9m shooting Wng. Wing shooting Fst. Fastbreak sh. 7m 7m penalty sh.  
 Brk. Breakthrough sh. As. Assists E7 Earned 7m pen. TF Technical Faults St. Steals 2m 2m punishments C7. Committed 7m  
 E2 Earned 2m pun. YC. Yellow cards RC Red cards BC Blue cards Blk. Blocks



# IHF Women's Junior (U20) World Championship

Hungary (Debrecen)

Preliminary Round - Group D



Match Team Statistics

Match No. 40

## Germany 51 - 19 Egypt

(26 - 7) (25 - 12)

6.7.2018. 16:00

Attendance: 120

Hodos Imre Sports hall

Referees: Yufeng Cheng (CHN) / Yunlei Zhou (CHN)

### Shot distribution by player

**4 L. Sherif**

|  |     |     |
|--|-----|-----|
|  |     | 1/1 |
|  |     |     |
|  | 1/1 | 2/2 |

**6 D. Sakr**

|     |  |  |
|-----|--|--|
|     |  |  |
|     |  |  |
| 1/1 |  |  |

2 miss. 1 block

**11 R. Darwish**

|     |     |  |
|-----|-----|--|
|     | 0/1 |  |
|     |     |  |
| 0/1 |     |  |

**14 M. Wael**

|     |     |  |
|-----|-----|--|
|     |     |  |
|     | 0/1 |  |
| 1/1 |     |  |

**17 Y. Elmaksoud**

|  |  |  |
|--|--|--|
|  |  |  |
|  |  |  |
|  |  |  |

**18 Y. Abdelrheem Hassan**

|  |     |  |
|--|-----|--|
|  | 2/2 |  |
|  |     |  |
|  |     |  |
|  | 1/1 |  |

**33 S. Wazery**

|     |  |     |
|-----|--|-----|
| 0/1 |  | 0/1 |
| 2/2 |  | 0/1 |
| 2/3 |  | 1/1 |

1 post 4 miss.

**65 E. Husein**

|  |     |     |
|--|-----|-----|
|  |     | 2/2 |
|  | 0/1 |     |
|  | 1/1 | 1/1 |

1 post 2 block

**88 Y. Waheed**

|  |  |  |
|--|--|--|
|  |  |  |
|  |  |  |
|  |  |  |

**89 N. Mamdouh**

|     |     |     |
|-----|-----|-----|
|     | 0/1 |     |
|     |     | 0/1 |
| 0/1 | 1/1 | 0/1 |

2 post 1 block

**99 M. Samy**

|  |  |  |
|--|--|--|
|  |  |  |
|  |  |  |
|  |  |  |

### TOTAL

|     |     |     |
|-----|-----|-----|
| 0/1 | 2/4 | 3/4 |
| 2/2 | 0/2 | 0/2 |
| 4/7 | 4/4 | 4/5 |

4 post 6 miss. 4 block

### Saves distribution goalkeepers

**1 L. Wael**

|      |     |      |
|------|-----|------|
| 1/12 | 0/2 | 1/5  |
| 2/9  | 1/1 | 3/6  |
| 0/10 | 0/4 | 2/12 |

### TOTAL

|      |     |      |
|------|-----|------|
| 1/12 | 0/2 | 1/5  |
| 2/9  | 1/1 | 3/6  |
| 0/10 | 0/4 | 2/12 |

### Shots by position

